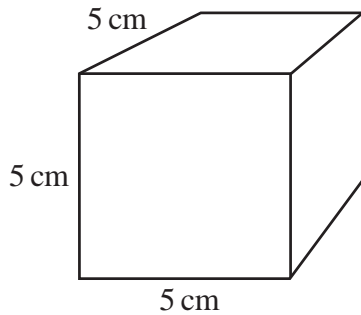


Surface Area of a Prism - Cuboids

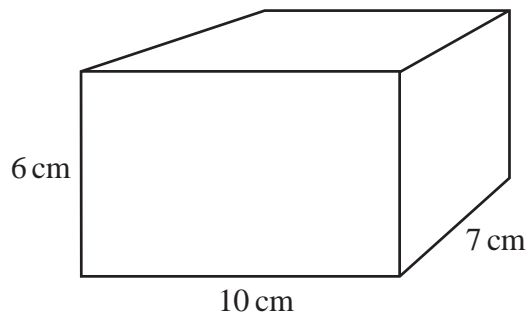
- 1) A cube has sides of length 5 cm.

Find the total surface area of the cube.



- 2) A cuboid has sides of length 10 cm, 6 cm and 7 cm.

Find the total surface area of the cuboid.



- 3) A cuboid has sides of length 12 cm, 4.5 cm and 6 cm.

Find the total surface area of the cuboid.

