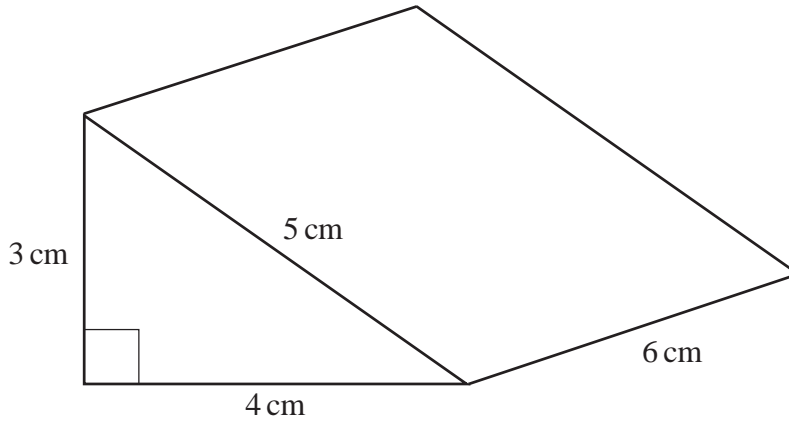
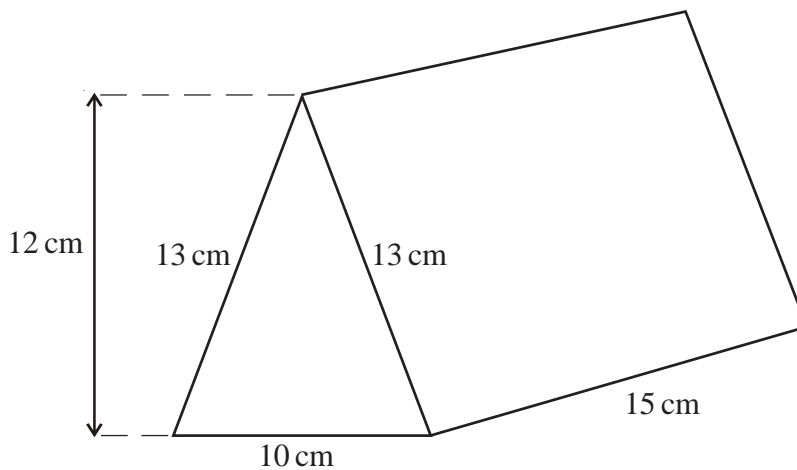


Surface Area of a Prism - Triangular Prisms

- 1) Find the surface area of this triangular prism.



- 2) Find the surface area of this triangular prism.



- 3) With the aid of Pythagoras' Theorem, find the surface area of this triangular prism.
 Give your answer correct to 2 significant figures.

