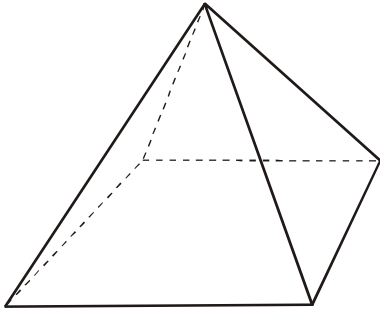


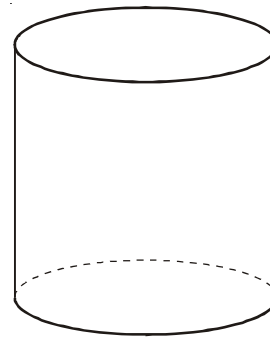
## Nets

1) Sketch nets of these solids.

a)



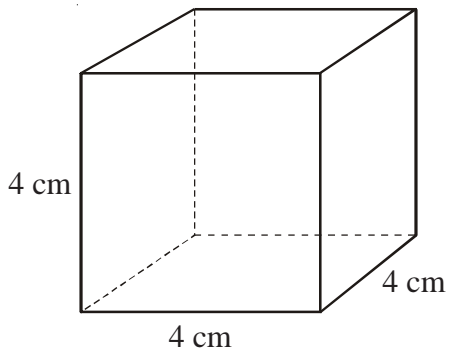
b)



2) On squared paper draw accurate nets of these solids.

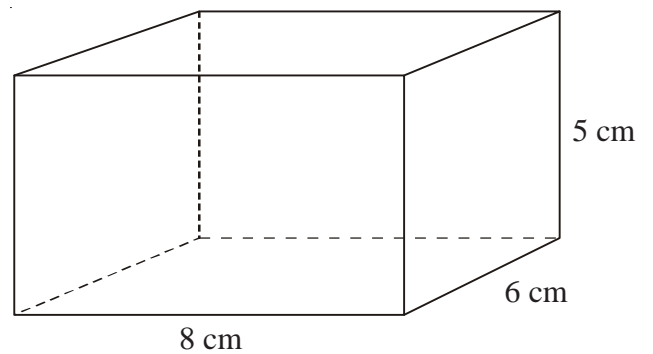
a)

**Cube**



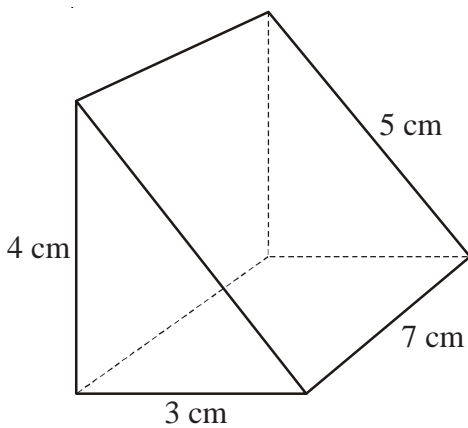
b)

**Cuboid**



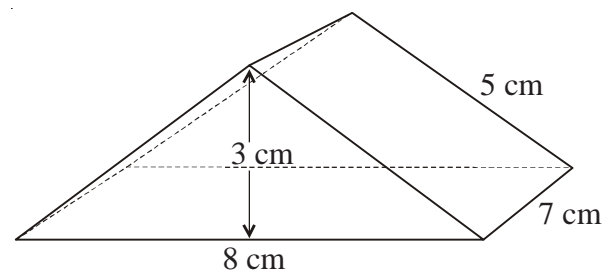
c)

**Right-angled triangular prism**



d)

**Triangular prism**

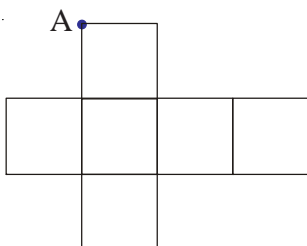


3) The two nets, below, are folded to make cubes.

Two other vertices will meet at the the dot, A. Mark them with As.

One other vertex will meet the dot B. Mark it with B.

a)



b)

