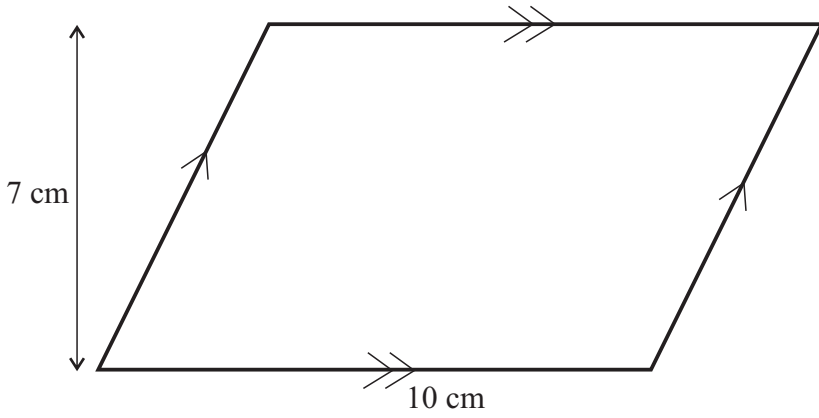


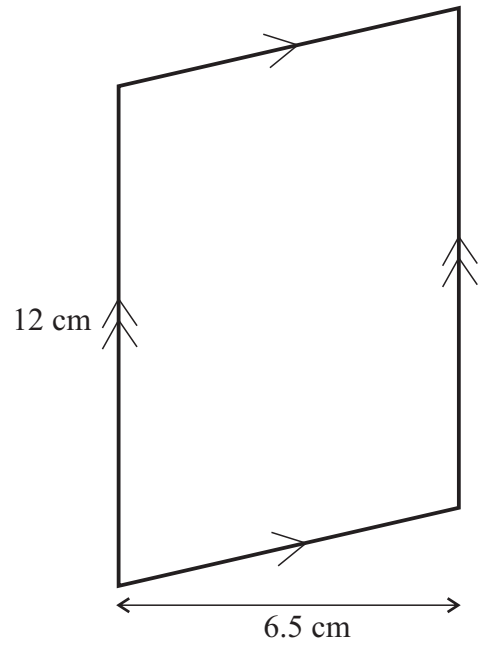
# Area of a Parallelogram

1) Find the area of each of these parallelograms.

a)

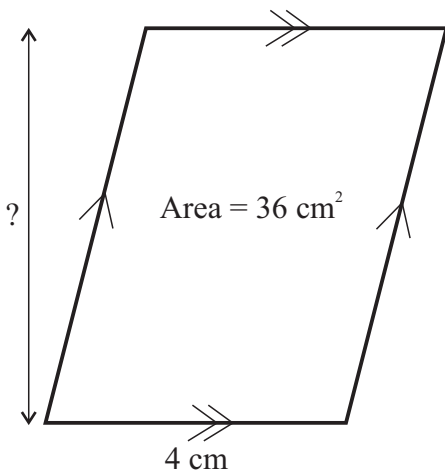


b)



2) Find the missing lengths in these two parallelograms.

a)



b)

